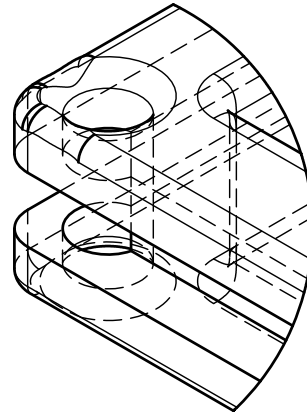
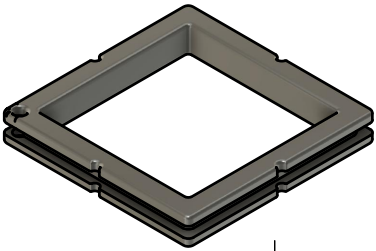


A (3:1)



Dept.	Technical reference	Created by <b>Martina Vasquez 12/7/2022</b>	Approved by	
	Document type	Document status		
	Title <b>proyecto personal 2022 base</b>	DWG No.		
	Rev.	Date of issue	Sheet <b>1/1</b>	