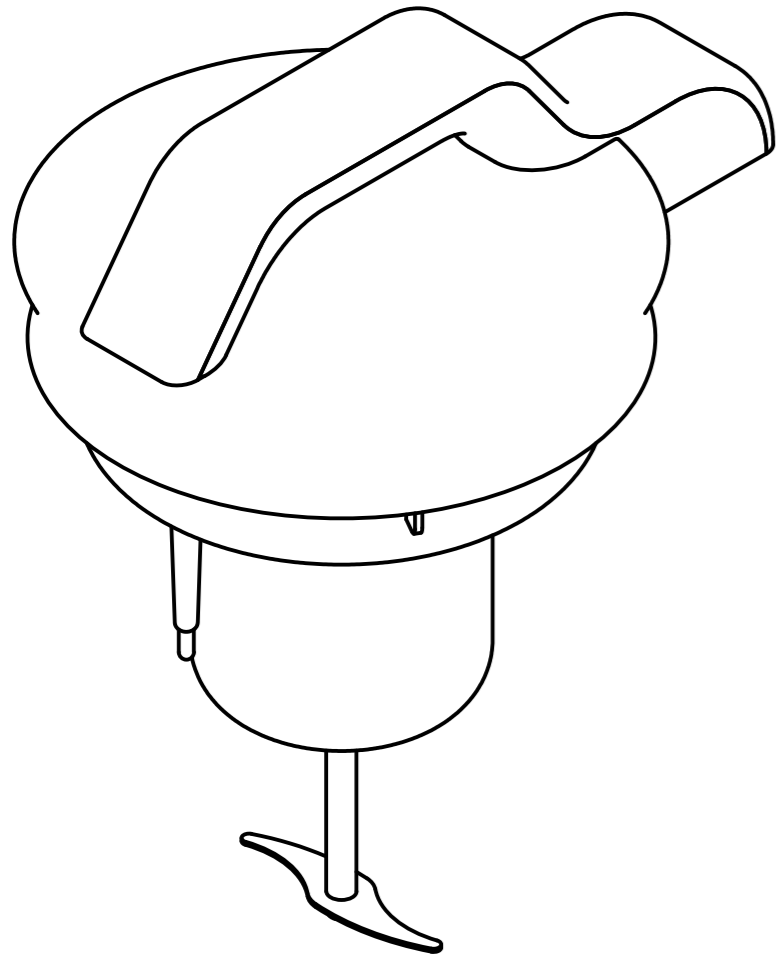
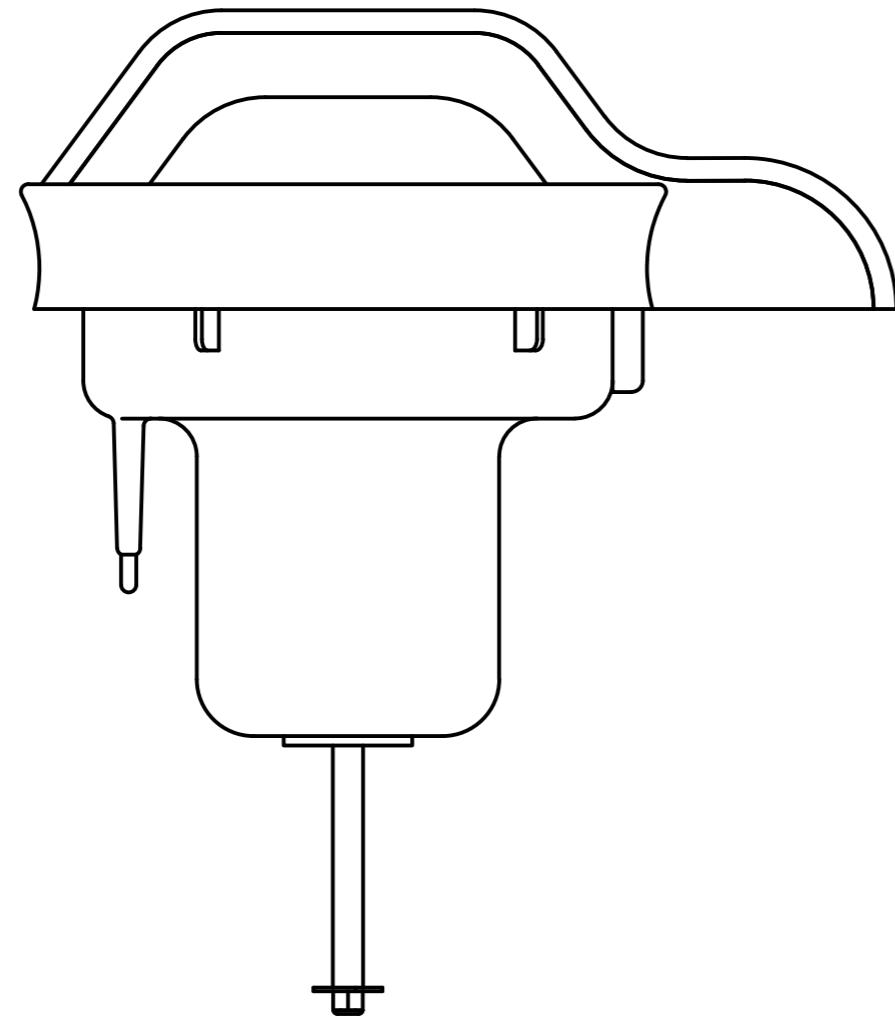


Cuerpo Superior

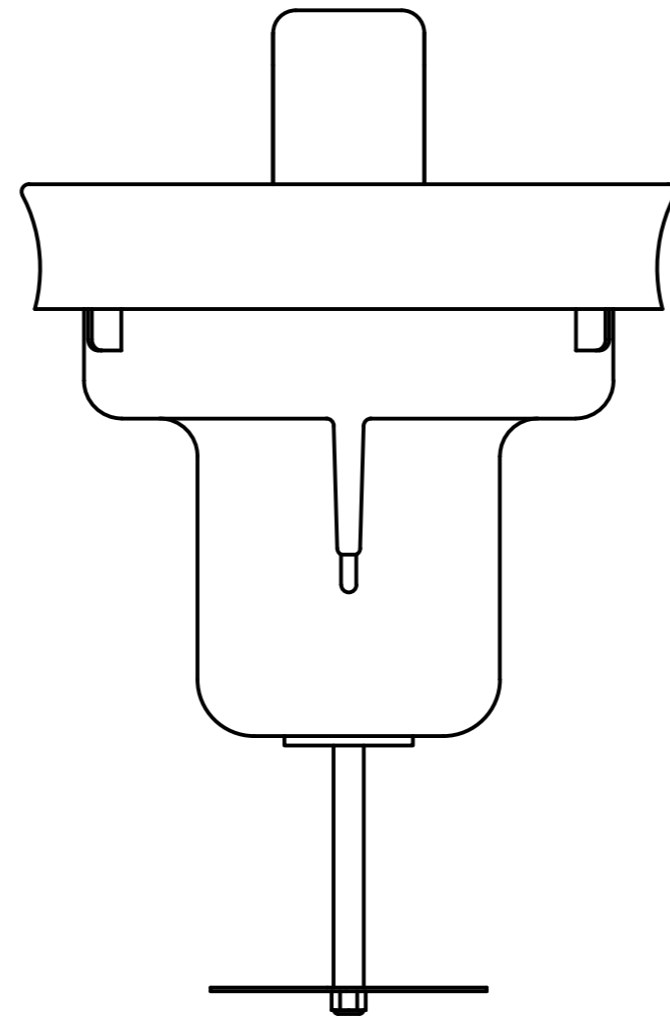
Vista Isometrica



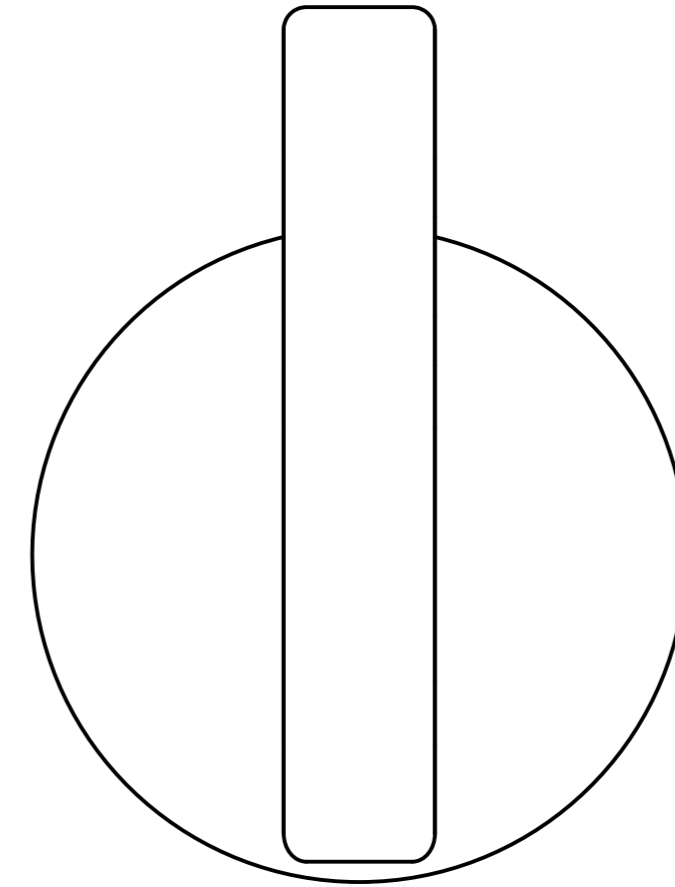
Vista Lateral



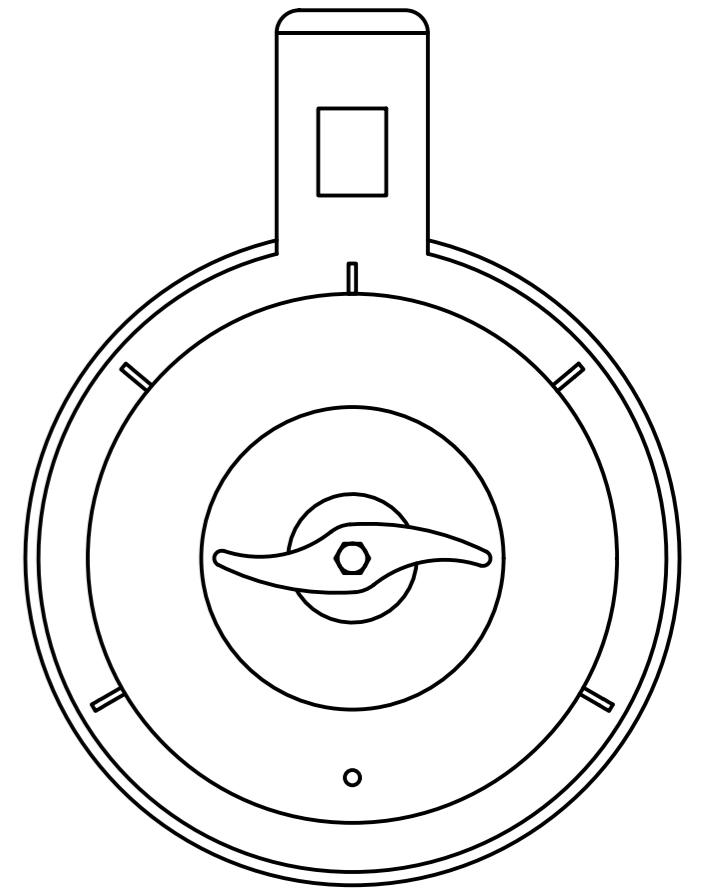
Vista Frontal



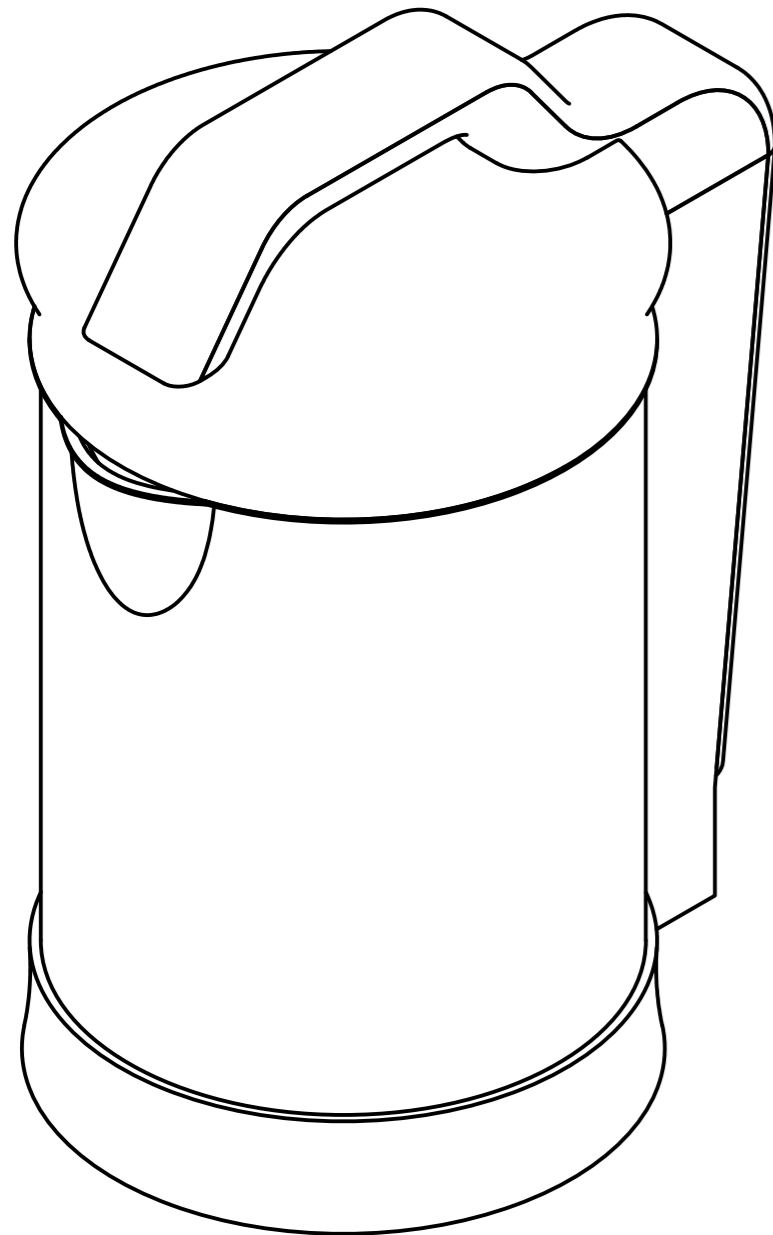
Vista Superior



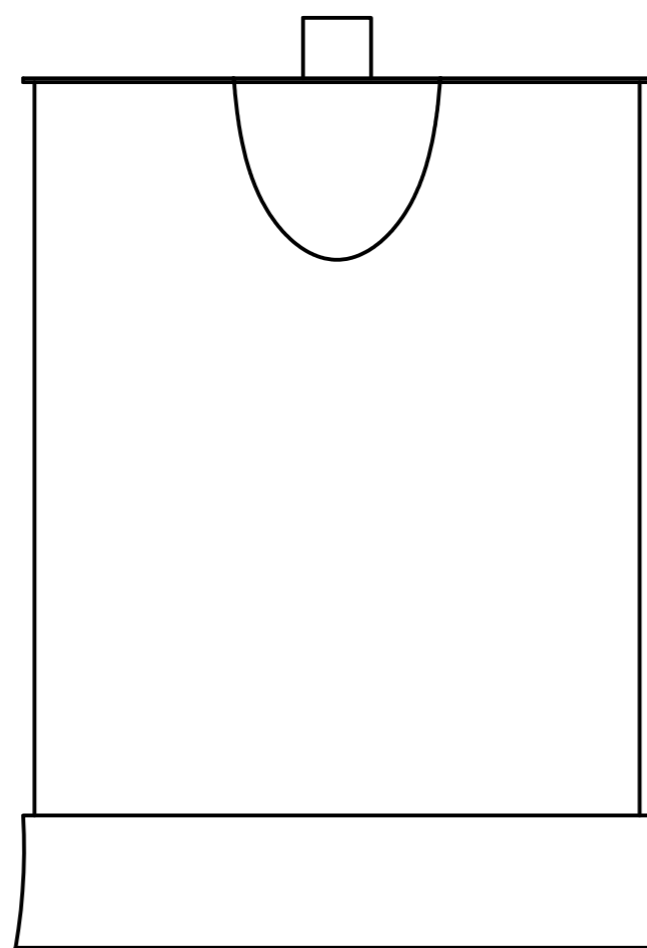
Vista Inferior



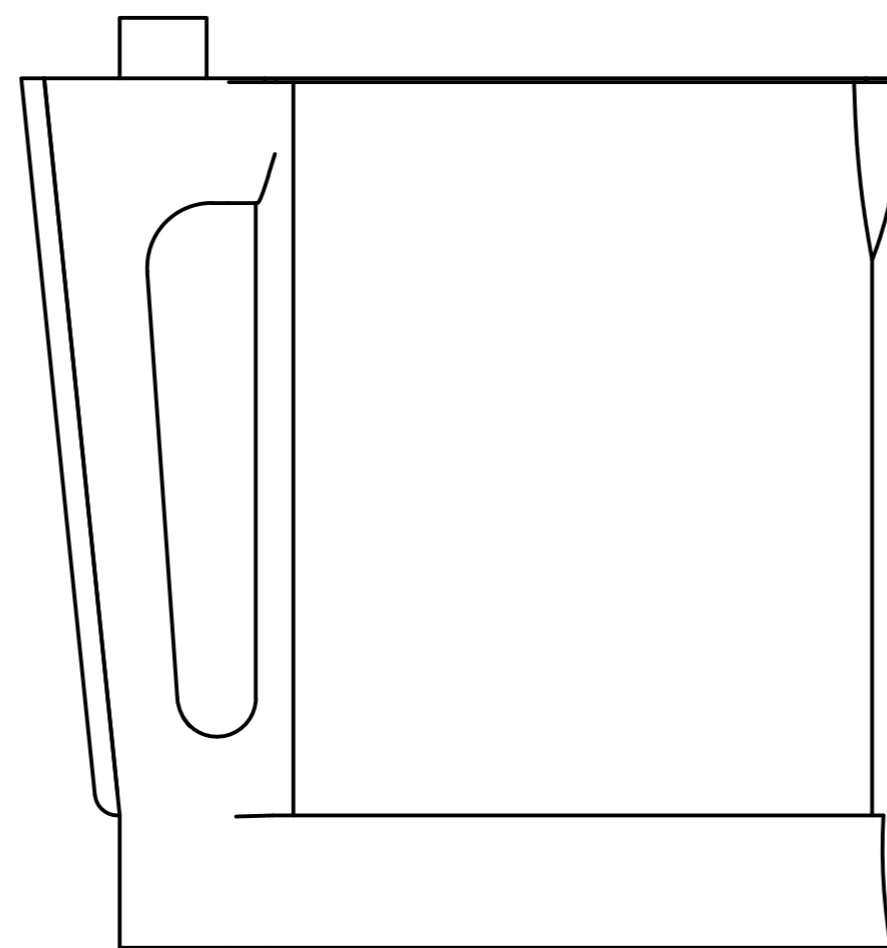
Vista Isometrica
Conjunto



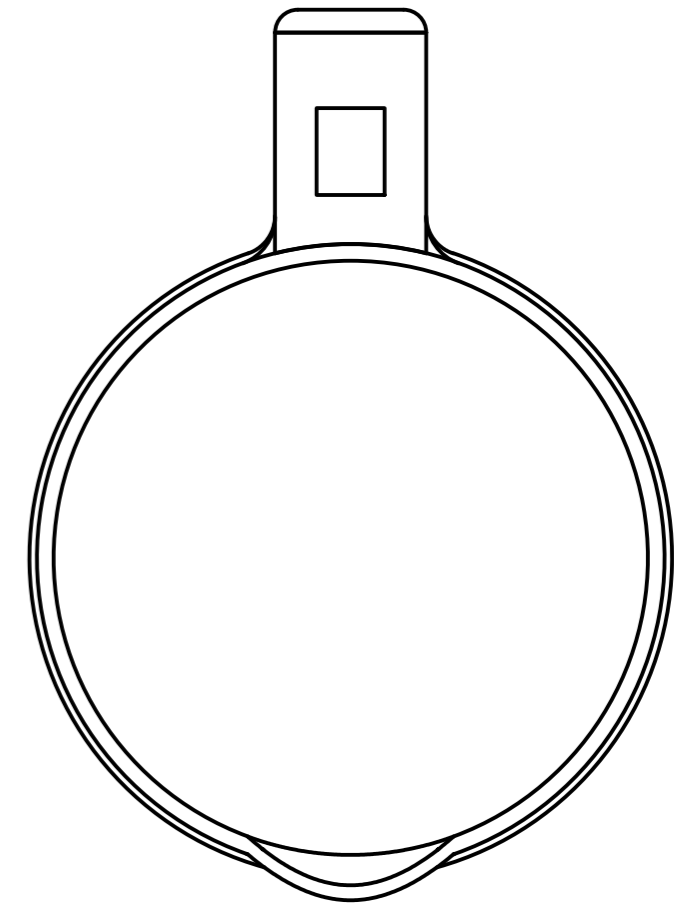
Vista Frontal



Vista Lateral



Vista Superior



Dept.	Technical reference	Created by Alejandro Jiménez 04-11-2022	Approved by
		Document type	Document status
		Title SoupMaker	DWG No.
		Rev.	Date of issue
		Sheet	1/1